



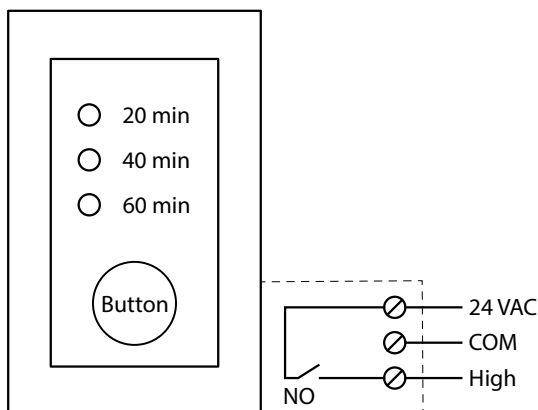
## DESCRIPTION

An electronic wall control timer that is compatible with all Frigate HRV/ERV models. This control activates the system on three possible modes of operation.

The button activates the system to run in intermittent mode for 20/40/60 minutes, it then returns to the predetermined setting. The light indicator of this wall control shows clearly, in which operating mode the unit is.

## ELECTRICAL DIAGRAM

Timer 20-40-60



## CONTROL

Push once for 20-minute, twice for 40-minute, or three times for 60-minute activation. Indicator lights up and the controlled unit goes to high speed.

Push once more to stop activation. Unit returns to its previous setting.

## ELECTRICAL DIAGRAM

Power supply: 24V AC  $\pm 10\%$  or 24V DC  $\pm 10\%$

Communication protocol: Normally opened contact

User interface: Push button

Type of indication:

- LED 1 = 20 min timer is active;
- LED 2 = 40 min timer is active;
- LED 3 = 60 min timer is active.

Output voltage: 24V AC  $\pm 10\%$  or 24V DC  $\pm 10\%$

Current Out: 100 mA, max

MODEL	QUANTITY	COMMENTS	PROJECT
			location:
			architect:
			engineer:
			contractor:
			submitted by:

Tel: 888-640-0925  
513-348-3853  
Fax: 513-268-4597

Sales@ventsus.com  
VentsUS.com  
11013 Kenwood Road,  
Cincinnati, Ohio 45242

