



DESCRIPTION

The CBF fans are centrifugal exhaust fans for ceiling mounting in bathrooms and other utility spaces.

The CBF fans are designed for long duct runs. The fans are compatible with 4" and 6" air ducts.

PERFORMANCE

Duct Dia	4"/6"		
Speed	HS	LS	
Watts*	27**	16**	
Amps*	0.23	0.17	
RPM*	1036	854	
Sones*	2.0**	0.7**	
CFM vs. Static Pressure in.W.G.	0"	110	62
	0.1"	100**	50**
	0.2"	84	33
	0.25"	75**	27**
	0.3"	61	16
	0.4"	44	-
	0.5"	17	-
Max. static pressure in.W.G.	0.54	0.35	
Volts/Hz	120/60		
Energy Star qualified	V		

* Indicated at 0.1 in.W.G.

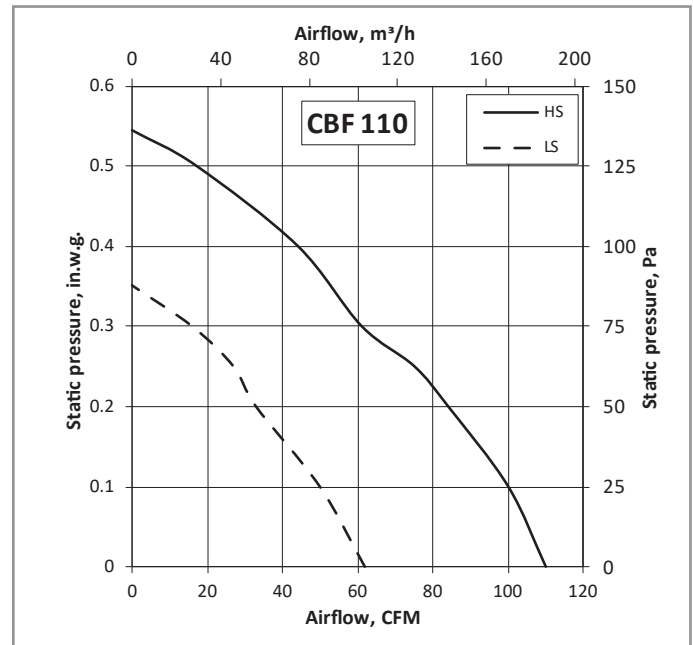
** HVI certified ratings

BENEFITS

- Low noise level
- Reliable asynchronous double-speed motor
- Adjustable mounting brackets
- Adjustable turn-off and turn-on delay timer (option)
- Ready for plug-in humidity or motion sensor (sells separately) or
- Pre-installed humidity or motion sensor (option)
- Energy-efficient LED light (CBF Light modification only)

SPECIFICATION

- Voltage: 120 V, 60 Hz
- Motor: AC motor
- Power consumption: 16 - 27 W
- Sones: 0.7 - 2.0
- Airflow capacity: up to 110 CFM
- Duct compatibility: Ø 4" and 6"

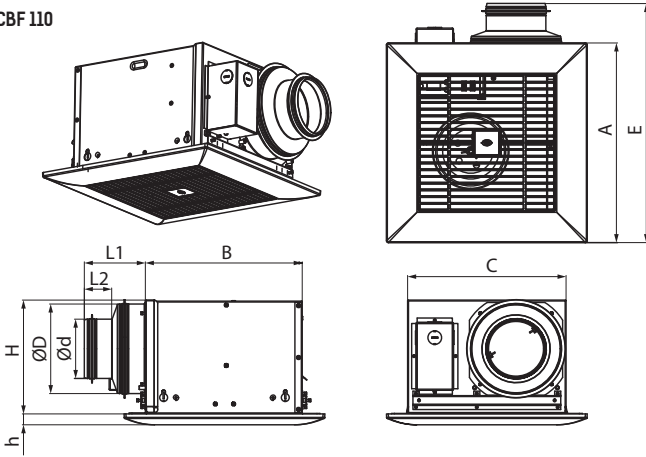


The curves are not HVI-Certified

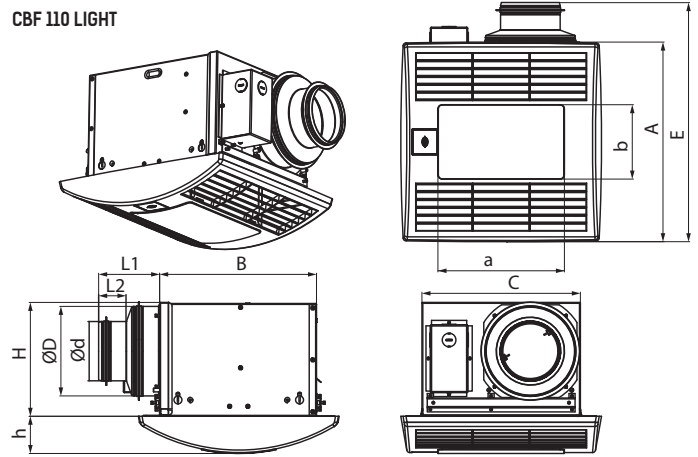
DIMENSIONS

MODEL	Dimensions [in]											
	D	d	L1	L2	A	B	C	E	H	h	a	b
CBF 110	5 7/8"	3 7/8"	4"	1 3/4"	13"	10 1/8"	10 1/4"	15 1/2"	7 3/8"	3/4"	-	-
CBF 110 LIGHT	5 7/8"	3 7/8"	4"	1 3/4"	13"	10 1/8"	10 1/4"	15 1/2"	7 3/8"	2 1/2"	8 1/4"	4 7/8"

CBF 110



CBF 110 LIGHT



DESIGNATION KEY

CBF 110 LIGHT TP

- Fan series**
 - CBF: Ceiling Bathroom Fan
- Rated air capacity (CFM)**
- Basic options**
 - _ : no additional options
 - Light: integrated LED light
- Additional options**

- T: timer
- TH: humidity sensor and timer
- TP: motion sensor and timer
- _ : no additional options

MODEL	QUANTITY	COMMENTS	PROJECT
			location:
			architect:
			engineer:
			contractor:
			submitted by: