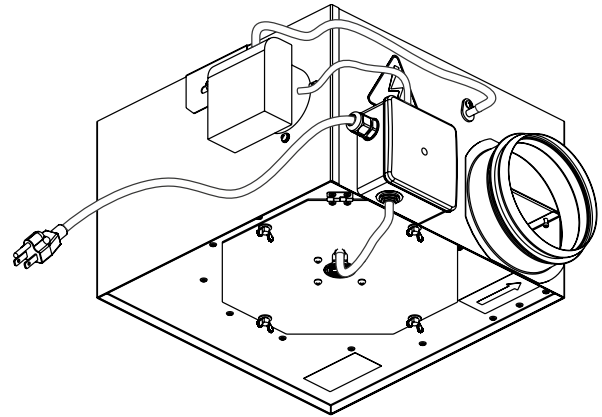


**INLINE CENTRIFUGAL FAN**

**VKP PS 125**



**Tools required**



Pencil



Drill  
Ø 6 mm



Screwdriver



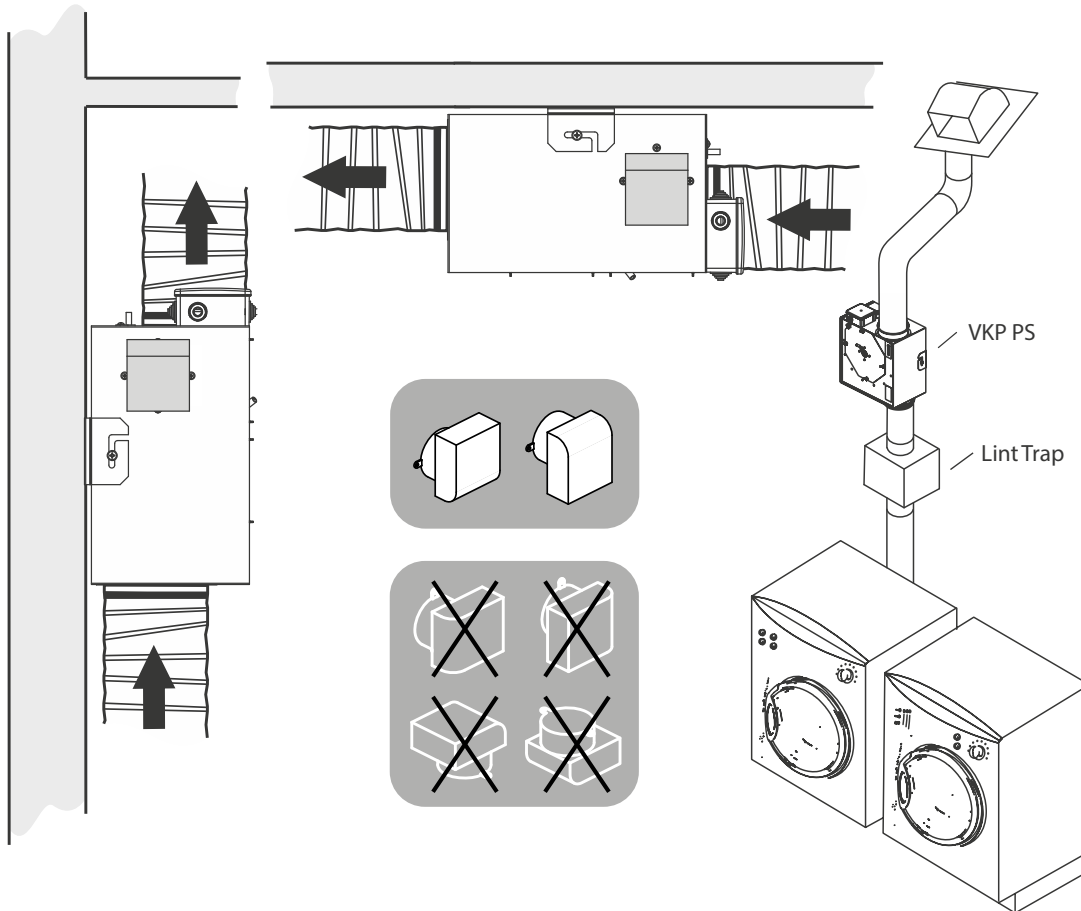
Dowel 4 pcs  
NTW 6/35



Screws 4 pcs  
4/35

**MOUNTING**

**Typical Fan installation**

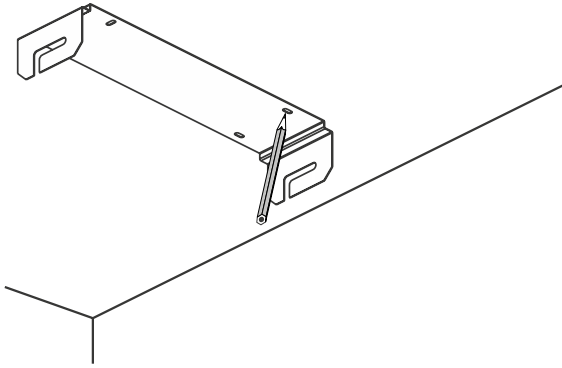


Install a lint trap between the clothes dryer and the fan to increase the service life and maintenance periodicity of VK PS. Clean the lint trap as required.

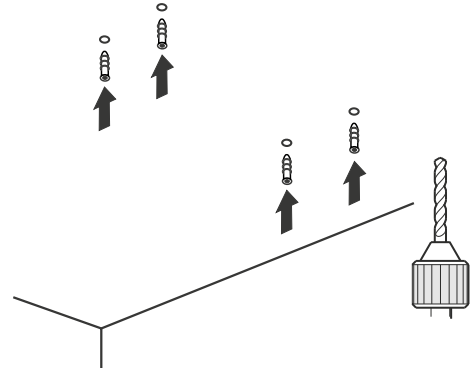


The process of fan mounting with the use of a bracket together with four screws and dowels is shown in Fig. 1-4.

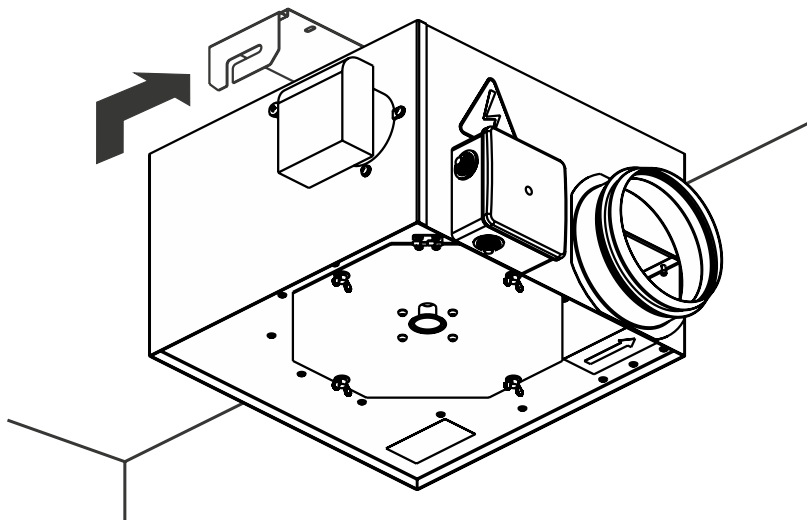
**1. Mark fastening holes**



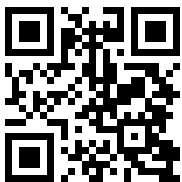
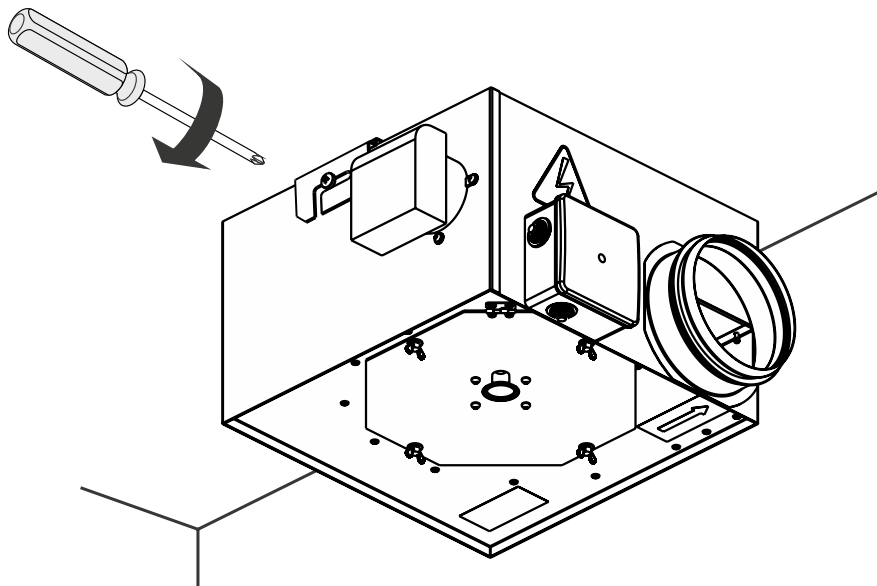
**2. Drill fastening holes**



**3. Install the casing on the mounting bracket**

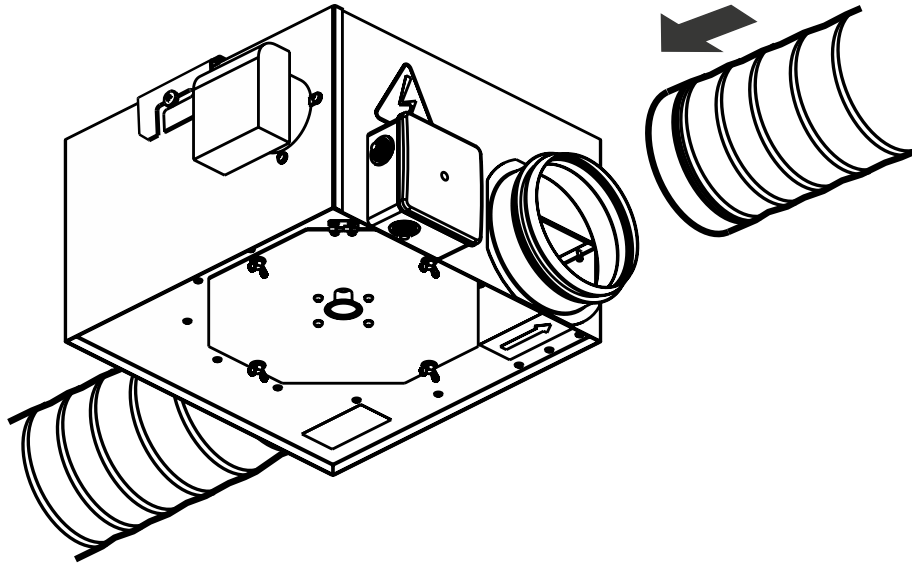


**4. Tighten the screws**

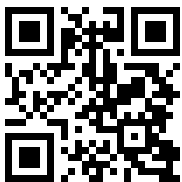
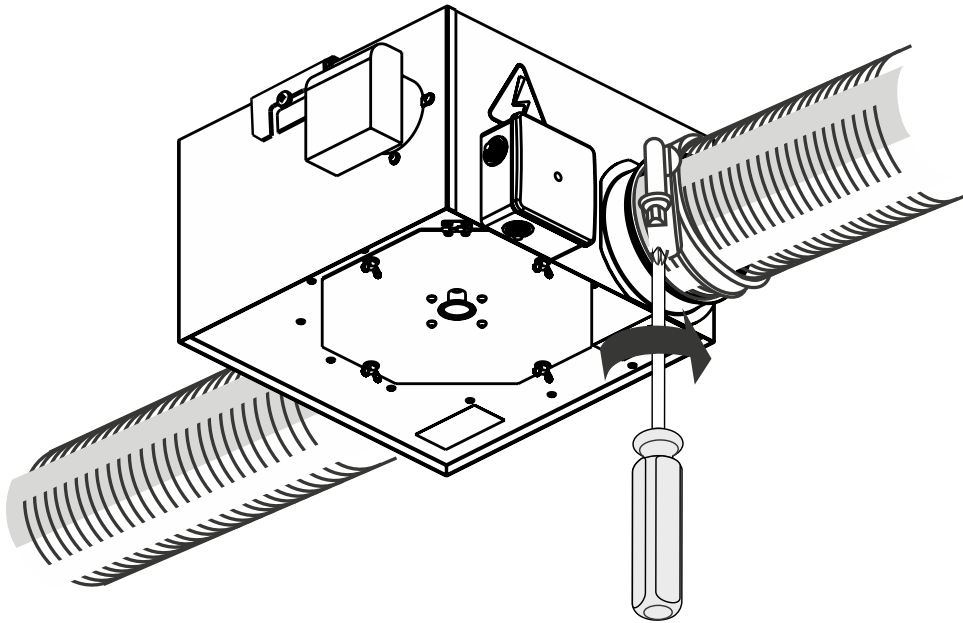


The process of ventilation stack installation is shown in Fig. 5-6. Air flow direction should match the direction of an arrowhead placed on the fan case

5. Connect air ducts



6. Fix air ducts with clamps



Fan connection

