

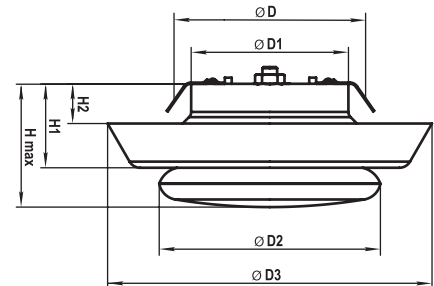


DESCRIPTION

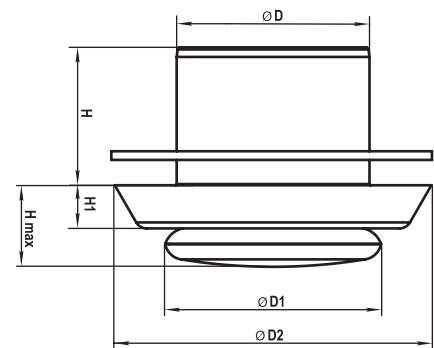
Diffuser can be used for both air intake and exhaust.
 Recommended for ceiling and drop ceiling applications.
 360 degree diffusion pattern.
 The baffle can be rotated to obtain the required air consumption listed in the specifications.
 Contains no flange (A-VR). Easy installation using the retaining ring.
 Diffusers are manufactured of UL94 certified plastic.

DIMENSIONS

Model	Measurements [in.]								Air pass, Sq.Ft	Damper normal pitch, inch
	Ø D	Ø D1	Ø D2	Ø D3	H max	H1	H2			
A 100 VR	3 15/16"	3 5/16"	3 9/16"	5 13/16"	2 9/16"	1 3/4"	1"	0.0648	0...13/16"	
A 125 VR	4 15/16"	4 1/8"	4 5/16"	6 9/16"	2 3/4"	1 9/16"	13/16"	0.0861	0...7/8"	
A 150 VR	5 7/8"	4 15/16"	5 1/16"	7 7/8"	3 1/8"	1 15/16"	1 3/16"	0.0968	0...7/8"	
A 200 VR	7 7/8"	6 15/16"	5 1/16"	9 11/16"	3 1/8"	2 1/16"	1 5/16"	0.0861	0...3/4"	



Model	Measurements [in.]							Air pass, Sq.Ft	Damper normal pitch, inch
	Ø D	Ø D1	Ø D2	H	H1	H max			
A 100 VRF	3 15/16"	3 9/16"	5 13/16"	2 5/16"	1 1/8"	1 9/16"	0.0648	0...13/16"	
A 125 VRF	4 15/16"	4 5/16"	6 9/16"	2 5/16"	13/16"	1 15/16"	0.0861	0...7/8"	
A 150 VRF	5 7/8"	5 1/16"	7 7/8"	2 5/16"	13/16"	1 15/16"	0.0968	0...7/8"	
A 200 VRF	7 7/8"	5 1/16"	9 11/16"	2 5/16"	13/16"	1 7/8"	0.0861	0...3/4"	
A 200/150 VRF	5 7/8"	5 1/16"	9 11/16"	3 1/4"	13/16"	1 7/8"	0.0861	0...3/4"	



Tel: 888-640-0925 Sales@ventsus.com
 513-348-3853 VentsUS.com
 Fax: 513-268-4597 11013 Kenwood Road,
 Cincinnati, Ohio 45242

