

VK-ANTIRADON SERIES

CENTRIFUGAL INLINE



RADON IN YOUR HOME CAN BE REAL AND DANGEROUS

We are surrounded by natural radioactive elements, which can be dangerous to human health in large quantities. RADON together with its half-decay products - plumbum, bismuth and polonium - is a dangerous substance. Fortunately, most radon decay products present in the air we breathe in is exhausted while breathing out. Still even a small radon quantity can provoke radiation contami-

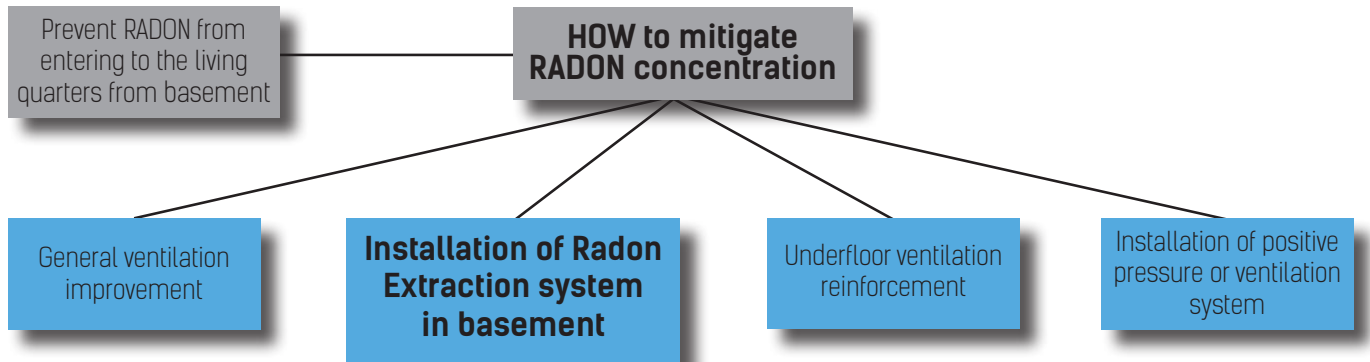
nation if the radioactive particles get trapped in the lungs. Radon is the second leading cause of lung cancer worldwide. Radon is colorless, odorless and tasteless natural radioactive gas that can be found anywhere in nature. It is produced by the decay of uranium in soil. Radon becomes a problem when it is trapped in a building and becomes concentrated.

Tel: 888-640-0925
Fax: 513-268-4597

Sales@ventsus.com
VentsUS.com
400 Murray Rd,
Cincinnati, OH 45217


HARDI

The most effective Radon reduction method is the installation of fans that can vent the elevated level of Radon outside. It is important to mitigate the radon if your basement or crawl space has tested positive for it.



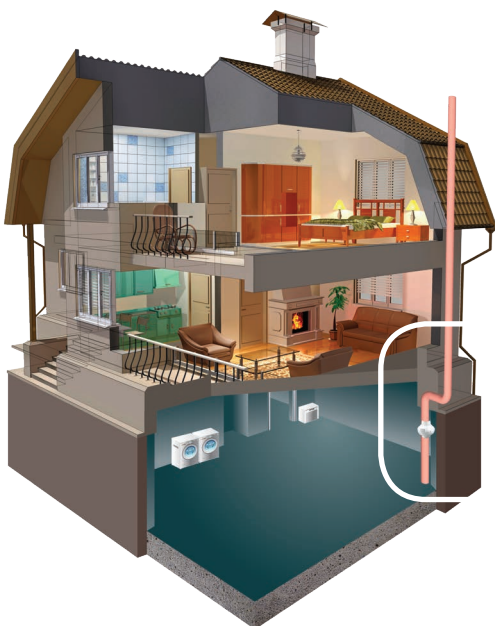
VENTILATION is one of the best ways to get **RADON OUT** of your home



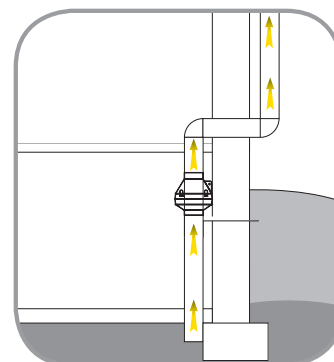
Solve your problem effectively and quickly with VENTS **VK-AntiRADON Fans**.

VENTS **VK-AntiRADON** fans meet requirements specifically for radon application.

RADON EXTRACTION INSTALLATIONS IN BASEMENT

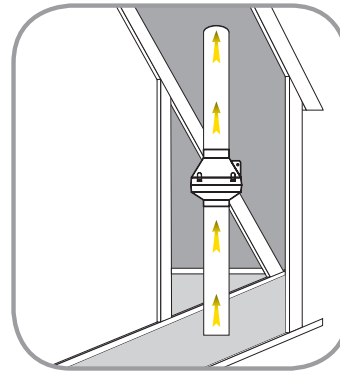


The **VENTS VK-AntiRADON** fan is fixed on the wall. The polluted air is extracted at roof level. The air ducts must be located at least 10' away from any window.





Attic installation. **VENTS VK-AntiRADON** fan installed in attic.



For airtight installation of **VK-AntiRADON** fan rubber collars with stainless clamps are recommended to use.
* not supplied with the fan

VK-ANTIRADON FANS

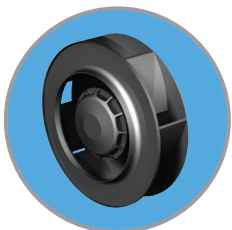


VENTS **VK-AntiRADON** fans are **specially designed** with high pressure capabilities **for Radon Mitigation** Application.

The fans are specifically designed for **radon extract** ventilation of basements, cellars, crawl spaces, etc. Compatible with Ø 4", 5", 6", 8", 10" and 12 ^{3/8"} round air ducts.

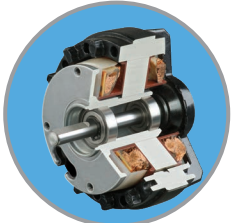
Installation made easy with the supplied mounting brackets.

BENEFITS:



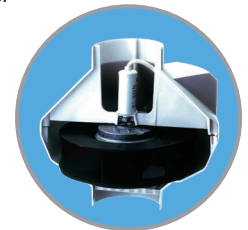
Dynamically Balanced Impeller Ensures **Vibration Free Operation**.

Highly efficient backward inclined impeller delivers exceptional airflow even in high static pressure systems.

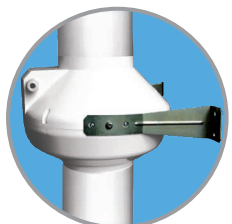


German Made High-Efficient external rotor motor

Ball Bearings motor ensures **Low-Noise** and **Maintenance-Free** operation



Factory Sealed case, **No Leakages** **UV Resistant** durable UL94 certified plastic.

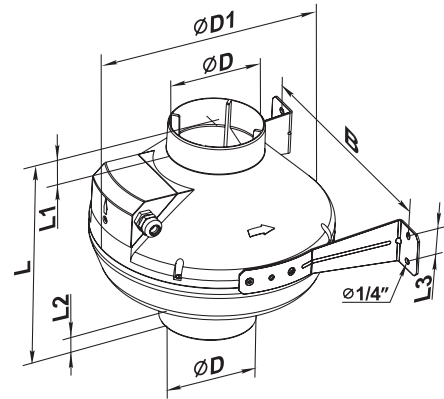


Power Cord & Mounting Brackets Included



DIMENSIONS

Model	Measurements [in.]							lbs
	ØD	ØD1	B	L	L1	L2	L3	
VK-AntiRADON 100	3 15/16"	9 13/16"	10 5/8"	9 1/16"	1 3/16"	1 1/16"	1 3/16"	4.7
VK-AntiRADON 125	4 15/16"	9 13/16"	10 5/8"	8 11/16"	1 3/16"	1 1/16"	1 3/16"	4.9
VK-AntiRADON 150	5 7/8"	11 13/16"	12 3/16"	11 1/4"	1 3/16"	1 3/16"	1 3/16"	5.7
VK-AntiRADON 200	7 7/8"	13 3/8"	13 15/16"	10 7/8"	1 3/16"	1 3/16"	1 9/16"	8.8
VK-AntiRADON 250	9 13/16"	13 3/8"	13 15/16"	10 7/16"	1 3/16"	1 3/16"	1 9/16"	9.9
VK-AntiRADON 315	12 3/8"	15 3/4"	16 5/16"	16 5/16"	1 9/16"	2 3/16"	1 9/16"	11.2


PERFORMANCE

Model	Duct dia	Energy Star compliance	RPM*	Sones	Watts*	Amps*	CFM vs. Static Pressure (Ps) in WG										Max Ps. in WG	Volt / Hz	
							0	0.1	0.2	0.3	0.4	0.5	0.6	0.7	0.8	0.9			1
VK-AntiRADON 100	4"	no	2980	2.3	109	0.94	183	175	170	164	154	147	138	130	122	115	106	2.2	120 / 60
VK-AntiRADON 150	6"	no	2785	2.7	93	0.77	321	307	290	272	255	237	222	206	193	175	159	18	120 / 60
VK-AntiRADON 200	8"	no	2781	3.5	149	1.25	562	536	520	501	472	451	424	397	372	347	329	2.5	120 / 60
VK-AntiRADON 250	10"	no	2523	4.3	266	2.25	683	653	620	588	551	518	487	453	423	394	368	3.1	120 / 60
VK-AntiRADON 315	12"	no	2641	4.1	269	2.25	871	825	770	736	683	645	569	515	476	430	388	2.8	120 / 60

* The parameters RPM, Watts, Amps are stated in 0.2 in WG static pressure.

SPECIFICATION

Voltage: 120 V, 60 Hz

Motor: Single-phase external rotor motor with backward curved centrifugal impellers

Duct compatibility: Ø 4", 5", 6", 8", 10", 12 3/8"

Airflow capacity: up to 871 CFM

Sones: 2.3-4.3

Power consumption: 93-269 W

Suitable for airstreams up to 122° F

IP X4 protection

Thermal overload protection

Mounting bracket and power cord included