



DESCRIPTION

Axial extract MA fans with automatic shutters.
 Designed for through the wall or wall mount application.
 Air performance tested as per AMCA standards.
 Certified by ETL and conforms to UL & ULC electrical safety standards.

APPLICATIONS

- Bathroom exhaust
- Living area

CASING

Durable plastic housing constructed of ETL recognized, UV protected thermo-plastic resin (flame rating - 5VA).

MOTOR

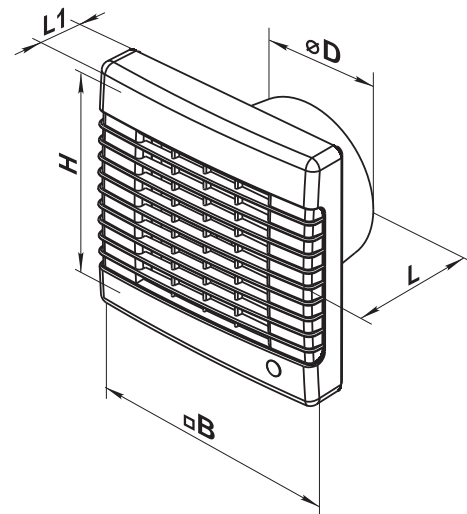
Sleeve bearing motor ensures quiet operation and designed for operation up to 20,000 hours. Suitable for air stream temperature from 34 °F to 113 °F.

BENEFITS

- Sizes available from 4", 5", 6"
- Quiet and powerful
- Vibration free operation
- Easy installation
- Corrosion resistant
- UV resistant, UL94 certified plastic
- ETL listed

DIMENSIONS

Model	Measurements [in.]				
	B	H	L	ØD	L1
100 MA	6 ¹ / ₂ "	5 ⁷ / ₈ "	3 ⁵ / ₈ "	3 ⁷ / ₈ "	1 ¹ / ₄ "
125 MA	7 ¹ / ₂ "	6 ¹³ / ₁₆ "	3 ⁷ / ₈ "	4 ¹⁵ / ₁₆ "	1 ⁵ / ₁₆ "
150 MA	8 ³ / ₈ "	7 ¹¹ / ₁₆ "	4 ¹ / ₂ "	5 ⁷ / ₈ "	1 ⁵ / ₁₆ "



PERFORMANCE

AMCA International Licensed Products

Model	RPM*	Sones	Duct Dia	Watts*	Amps*	CFM vs. Static Pressure (Ps) in WG		Max Ps	Volts
						0"	0.03"		
100 MA	2756	1.82	4"	17	0.18	44	37	0.17	120 / 60 Hz

AMCA International Non-Licensed Products

Model	RPM*	Sones	Duct Dia	Watts*	Amps*	CFM vs. Static Pressure (Ps) in WG		Max Ps	Volts
						0"	0.03"		
125 MA	2150	2.6	5"	192	0.21	102	90	0.18	120 / 60 Hz
150 MA	2130	2.7	6"	352	0.4	176	158	0.196	120 / 60 Hz

MODEL	QUANTITY	COMMENTS	PROJECT
			location:
			architect:
			engineer:
			contractor:
			submitted by: