

VKM-AntiRADON Series



Centrifugal inline fans



RADON IN YOUR HOME CAN BE REAL AND DANGEROUS

We are surrounded by natural radioactive elements, which can be dangerous to human health in large quantities. RADON together with its half-decay products - plumbum, bismuth and polonium - is a dangerous substance. Fortunately, most radon decay products present in the air we breathe in is exhausted while breathing out. Still even a small radon quantity can provoke radiation

contamination if the radioactive particles get trapped in the lungs. Radon is the second leading cause of lung cancer worldwide. Radon is colorless, odorless and tasteless natural radioactive gas that can be found anywhere in nature. It is produced by the decay of uranium in soil. Radon becomes a problem when it is trapped in a building and becomes concentrated.

The most effective Radon reduction method is the installation of fans that can vent the elevated level of Radon outside. It is important to mitigate the radon if your basement or crawl space has tested positive for it.

HOW TO MITIGATE RADON CONCENTRATION

- General ventilation improvement
- Installation of Radon Extraction system in basement or outside
- Underfloor ventilation reinforcement
- Installation of positive pressure or ventilation system



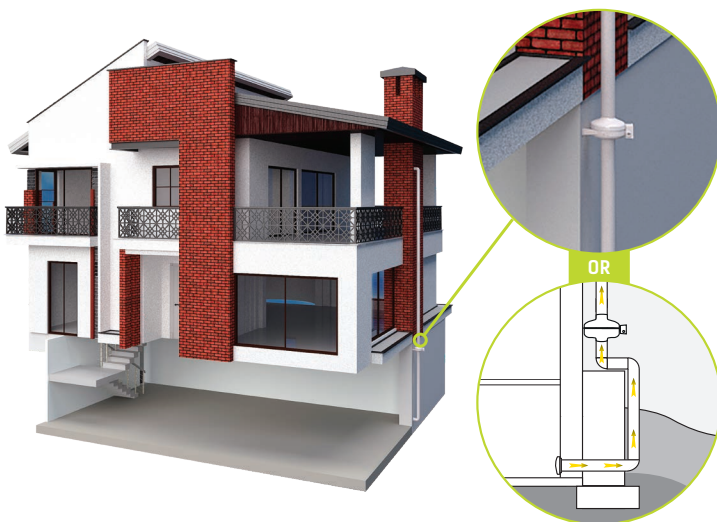
VENTILATION is one of the best ways to get RADON OUT of your home!

Solve your problem effectively and quickly with **VENTS VKM-AntiRADON Fans**. **VENTS VKM-AntiRADON** fans meet requirements specifically for radon application.

RADON EXTRACTION INSTALLATIONS IN BASEMENT OR OUTSIDE

The VENTS VKM-AntiRADON fan is fixed on the wall. The polluted air is extracted at roof level. The air ducts must be located at least 10' away from any window.

Attic installation. VENTS VKM-AntiRADON fan installed in attic.



For airtight installation of VKM -AntiRADON fan rubber collars with stainless clamps are recommended to use.
* not supplied with the fan

VKM-ANTIRADON FANS



VENTS VKM-AntiRADON fans are specially designed with high pressure capabilities for Radon Mitigation Application.

The fans are specifically designed for radon extract ventilation of basements, cellars, crawl spaces, etc. Compatible with Ø 4" - 12" round air ducts.

Installation made easy with the supplied mounting brackets.

BENEFITS:

Highly efficient backward curved impeller delivers exceptional airflow even in high static pressure systems.



Dynamically Balanced Impeller Ensures Vibration Free Operation.



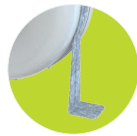
Ball Bearings motor ensures Low-Noise and Maintenance-Free operation



German Made High-Efficient external rotor motor



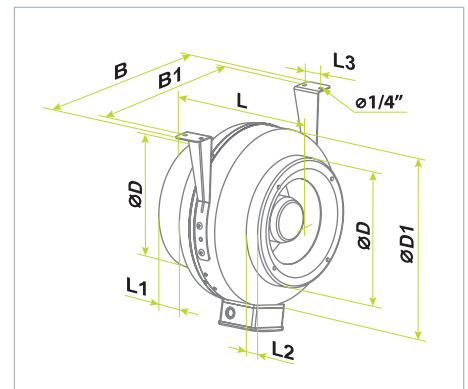
Factory Sealed case, No Leakages The fan's casing is made of polimer coated metal



Power Cord & Mounting Brackets Included

DIMENSIONS

Model	Measurements [in.]								lbs
	Ø D	Ø D1	B	B1	L	L1	L2	L3	
VKM-AntiRADON 100	3 15/16"	10"	11 3/4"	10 3/16"	8 1/16"	0 13/16"	1"	1 3/16"	9.7
VKM-AntiRADON 125	4 15/16"	10"	11 3/4"	10 3/16"	8 1/16"	0 13/16"	1"	1 3/16"	9.5
VKM-AntiRADON 150	5 7/8"	11 15/16"	13 3/4"	12 3/16"	8 11/16"	1"	1"	1 3/16"	11.9
VKM-AntiRADON 200	7 7/8"	13 9/16"	15 3/8"	13 3/4"	9 7/8"	1"	1 1/8"	1 9/16"	14.6
VKMS-AntiRADON 200	7 7/8"	13 9/16"	15 3/8"	13 3/4"	9 7/8"	1"	1 1/8"	1 9/16"	14.6
VKM-AntiRADON 250	9 13/16"	13 9/16"	15 3/8"	13 3/4"	9 3/16"	1"	1 1/4"	1 9/16"	16.1
VKM-AntiRADON 305	12"	15 7/8"	17 3/4"	16 5/16"	10 1/4"	0 15/16"	1 3/16"	1 9/16"	17.6
VKMS-AntiRADON 305	12"	15 7/8"	17 3/4"	16 5/16"	10 1/4"	0 15/16"	1 3/16"	1 9/16"	17.6



PERFORMANCE

Model	Duct dia	RPM*	Sones	Watts*	Amps*	CFM vs. Static Pressure (Ps) in WG											Volt /Hz	
						0"	0.125"	0.2"	0.25"	0.375"	0.5"	0.75"	1.0"	1.25"	1.5"	2.5"		
VKM-AntiRADON 100	4"	3000	6.91	108	0.90	174	174	174	174	174	174	174	174	174	174	174	174	120/60
VKM-AntiRADON 125	5"	2950	6.80	112	0.97	239	239	239	239	239	239	239	239	239	239	239	239	120/60
VKM-AntiRADON 150	6"	2400	6.60	110	0.90	325	325	325	325	325	325	325	325	325	325	325	325	120/60
VKM-AntiRADON 200	8"	2520	7.60	195	1.63	541	541	541	541	541	541	541	541	541	541	541	541	120/60
VKMS-AntiRADON 200	8"	2745	8.30	240	2.14	657	657	657	657	657	657	657	657	657	657	657	657	120/60
VKM-AntiRADON 250	10"	2516	8.20	232	1.95	678	678	678	678	678	678	678	678	678	678	678	678	120/60
VKM-AntiRADON 305	12"	2981	8.35	244	2.10	784	784	784	784	784	784	784	784	784	784	784	784	120/60
VKMS-AntiRADON 305	12"	2320	8.42	272	2.42	985	985	985	985	985	985	985	985	985	985	985	985	120/60

* The parameters RPM, Watts, Amps are stated in 0.2" in WG static pressure.



VKM-AntiRADON Series

Tel: 1-888-640-0925
Tel: 513-348-3853
Fax: 513-268-4597
sales@VentsUS.com

400 Murray Road,
Cincinnati, OH 45217

VENTS-US reserves the rights to modify any of its products' features, designs, components and specifications at any time and without notice to maintain the development and quality of manufactured goods.

www.ventsUS.com
07 | 2020

