



## DESCRIPTION

Energy Star compliant. Very high energy efficiency. Speed controllable 0-10 V (regulator is available upon separate order).

VENTS VKM EC inline centrifugal duct fans are designed for residential and commercial ventilation applications. The housing is made of steel with polymer coating. Efficient backward curved impeller is capable of operating in high pressure systems. In-line configuration simplifies installation. All VKM EC models are designed for standard diameter round ducting. VENTS VKM EC inline duct fans can eliminate many ventilation problems.

They are designed to boost airflow through long or complex duct runs. Provide ideal solutions for residential and commercial applications. The most common uses are bathroom exhaust, range hood exhaust and duct boosting. The VKM EC series fans are specifically for simple installation and maintenance free operation.

## MOTOR

High-efficiency EC-motor, 0-10V controllable. Motor is supplied with automatic reset thermal protection and is equipped with ball bearings for longer service life (40,000 hrs). Suitable for air stream temperature from -13 °F to 105 °F.

## SUITABLE FOR:

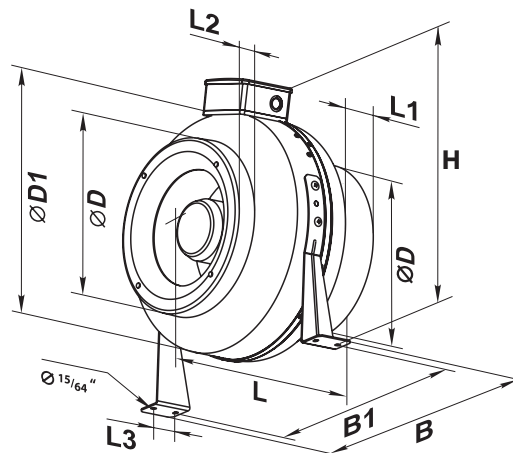
Bathroom exhaust; kitchen ventilation; living area; whole house ventilation; workshops & smoking areas; offices; bars & restaurants; warehouses; duct boosting.

## CASING

Fan has a housing made of steel with polymer coating.

## DIMENSIONS

| Model      | Measurements [in.] |          |           |           |           |        |        |        |         | lbs |
|------------|--------------------|----------|-----------|-----------|-----------|--------|--------|--------|---------|-----|
|            | Ø D                | Ø D1     | H         | B         | B1        | L      | L1     | L2     | L3      |     |
| VKM 150 EC | 5 53/64"           | 12 1/64" | 14 11/64" | 14 11/64" | 12 19/32" | 7 7/8" | 25/32" | 63/64" | 1 3/16" | 8.2 |



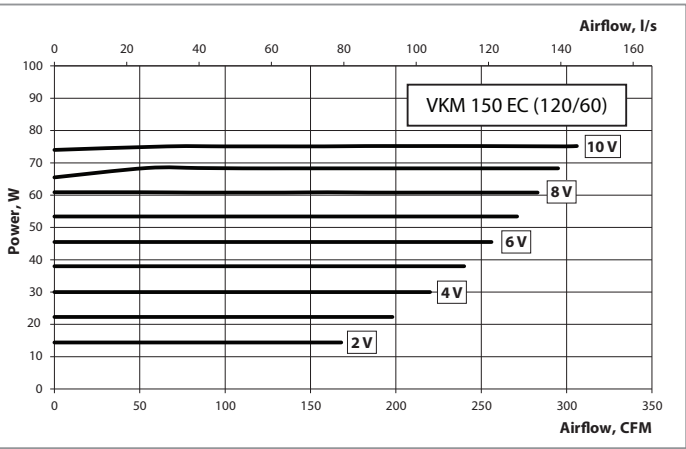
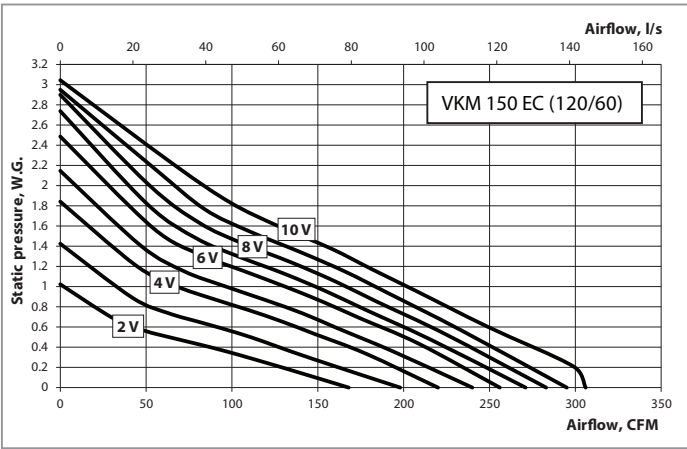
PRODUCT SPECIFICATIONS

PERFORMANCE

| Model               | Current* [Amp] | Power* [W] | RPM* | Energy Star compliant | [Volts/Hz] |
|---------------------|----------------|------------|------|-----------------------|------------|
| VKM 150 EC (120/60) | 1.08           | 75.1       | 3336 | Yes                   | 120/60     |

\* The parameters Volts, Watts, Amps are indicated at 0.2 in WG static pressure, max airflow

| Model               | CFM vs. Static Pressure (Ps) in WG 10V curve |        |      |       |        |      |       |      |       |      |      | Max Ps |
|---------------------|--|--------|------|-------|--------|------|-------|------|-------|------|------|--------|
|                     | 0"   | 0.125" | 0.2" | 0.25" | 0.375" | 0.5" | 0.75" | 1.0" | 1.25" | 1.5" | 2.5" |        |
| VKM 150 EC (120/60) | 306  | 299    | 291  | 285   | 272    | 258  | 231   | 204  | 176   | 149  | 40   | 3.05   |



SPECIFICATION

Voltage: 120 V, 60 Hz  
 Motor: Efficient electronically commutated (EC) single-phase external rotor motor with backward curved centrifugal impeller  
 Duct compatibility: 6"  
 Airflow capacity: up to 306 CFM  
 Sones: 6.6

Power consumption: 75.1 W  
 Suitable for working airstreams up to 105°F  
 IPX4 protection  
 Thermal overload protection  
 Mounting bracket and power cord included  
 Energy Star compliant

| MODEL | QUANTITY | COMMENTS | PROJECT       |
|-------|----------|----------|---------------|
|       |          |          | location:     |
|       |          |          | architect:    |
|       |          |          | engineer:     |
|       |          |          | contractor:   |
|       |          |          | submitted by: |

Tel: 888-640-0925      Sales@ventsus.com  
 Fax: 513-268-4597      VentsUS.com  
 400 Murray Rd,  
 Cincinnati, OH 45217

