



DESCRIPTION

LD Axial Fan is designed for through the wall or wall mount application. Air performance tested as per AMCA standards. Certified by ETL and conforms to UL & ULC electrical safety standards.

CASING

Durable plastic housing constructed of ETL recognized, UV protected thermoplastic resin (UL94 certified plastic).

MOTOR

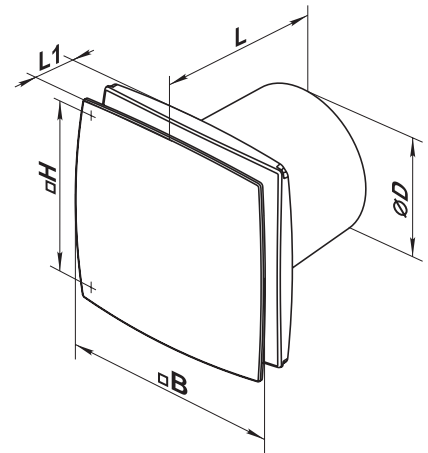
Sleeve bearing motor ensures quiet operation and designed for operation up to 20,000 hours. Suitable for air stream temperature from 34 °F to 113 °F.

SUITABLE FOR:

Bathroom / Living Area

DIMENSIONS

Model	Measurements [in.]				
	B	H	L	ØD	L1
100 LD	5 15/16"	4 3/4"	4 15/16"	3 15/16"	1 3/16"
125 LD	6 15/16"	5 1/2"	5 5/16"	4 15/16"	1 5/16"
150 LD	8 1/16"	6 1/2"	6 1/16"	5 15/16"	1 3/8"



PERFORMANCE

AMCA International Licensed Products

Model	RPM*	Sones	Duct Dia	Watts*	Amps*	CFM vs. Static Pressure (Ps) in WG		Max Ps	Volts
						0"	0.03"		
125 LD	2400	2.16	5"	15.5	0.19	79	63	0.16	120 / 60 Hz
150 LD	2337	3.0	6"	32.9	0.39	109	92		120 / 60 Hz

AMCA International Non-Licensed Products

Model	RPM*	Sones	Duct Dia	Watts*	Amps*	CFM vs. Static Pressure (Ps) in WG		Max Ps	Volts
						0"	0.03"		
100 LD	2975	1.37	4"	13.9	0.18	44	42	0.15	120 / 60 Hz

* The parameters RPM, Watts, Amps are indicated at 0.03 in.WG static pressure.

MODEL	QUANTITY	COMMENTS	PROJECT
			location:
			architect:
			engineer:
			contractor:
			submitted by:

Tel: 888-640-0925 Sales@ventsus.com
 Fax: 513-268-4597 VentsUS.com
 400 Murray Rd,
 Cincinnati, OH 45217