


DESCRIPTION

Specially designed for mounting inside ventilation shaft VKOM fans are the perfect air movers. High outflow capacity allows ventilating premises with contaminated air. These fans can effectively and quietly handle major ventilation challenges such as large warehouses without taking up valuable space. The fans are supplied with fastening brackets and can be installed both vertically and horizontally. VKOM fans can be wired through a wall switch in the room or optional control that corresponds to power and current of the fan.

CASING

Fan's body is made of steel with polymeric coating, while the impeller is made of aluminum

MOTOR

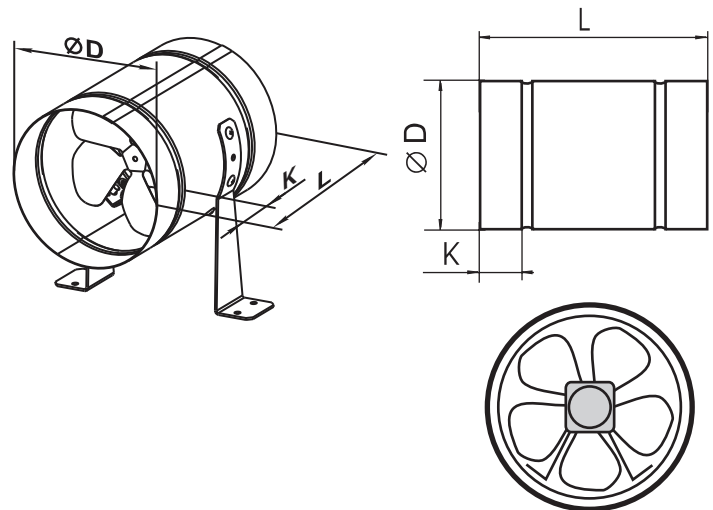
External rotor motor on ball bearing with thermal protection ensures long life of the fans.

SUITABLE FOR:

Ventilation of stores, garages, agricultural and parking facilities.

DIMENSIONS

Model	Measurements [in.]		
	Ø D	L	K
VKOM 150	6 5/16"	8 11/16"	1 9/16"
VKOM 200	8 1/8"	8 11/16"	1 9/16"



PERFORMANCE

Model	RPM	Sones	Duct dia	Max Watts	Max Amps	CFM vs. Static Pressure (Ps) in WG				Max. Ps	Volts
						0"	0.125"	0.25"	0.375"		
VKOM 150	1650	1.6	6"	28	0.41	115	61	-	-	0.22	120/60
VKOM 200	1680	2.5	8"	43	0.63	262	211	56	-	0.30	120/60

MODEL	QUANTITY	COMMENTS	PROJECT
			location:
			architect:
			engineer:
			contractor:
			submitted by:

Tel: 888-640-0925 Sales@ventsus.com
 Fax: 513-268-4597 VentsUS.com
 400 Murray Rd,
 Cincinnati, OH 45217

