



DESCRIPTION

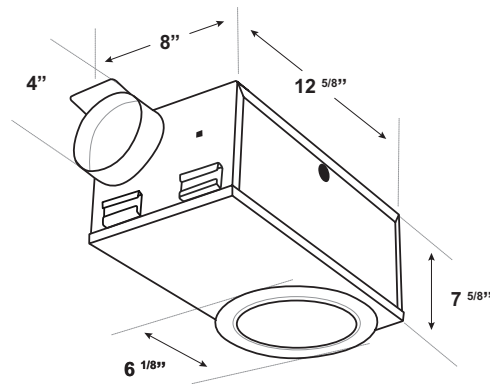
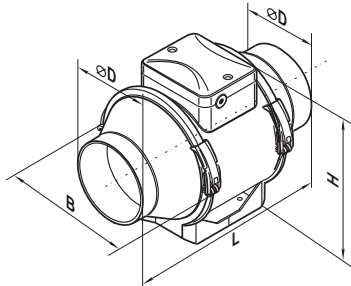
VENTS Bathroom Kit is the best way to arrange extract ventilation or replace an old noisy ceiling fan in your house. Installed away from the living space, VENTS bathroom kits offer powerful, yet silent ventilation solutions. Each kit consists of a plastic ceiling diffuser with the option of a built in LED light, a powerful inline fan, galvanized steel housing with damper and mounting brackets. VENTS offers kits for dual bathroom applications that features two galvanized steel housing with grille and a Y-Adapter.

KIT INCLUDES

Mix-flow fan TT Silent 150 (299 CFM);
LED light 2 H-100L (LED light);
Joint TMY150/100 Zn.

DIMENSIONS

Model	Measurements [in.]				lbs
	L	H	B	Ø D	
TT Silent 150	11 3/8"	9 3/4"	8 11/16"	5 13/16"	4.58



PERFORMANCE

Model	Duct dia	Lamp	Speed	RPM*	Sones	Watts*	Amps*	CFM vs. Static Pressure (Ps) in WG											Volts / Hz
								0	0.1	0.2	0.3	0.4	0.5	0.6	0.7	0.8	0.9	1	
TT Silent Kit 150 Duo-2L	4" / 6"	1x7 W LED	high	2617	2.5	66	0.55	327	316	299	283	268	247	225	194	138	83	50	120/60
			low	1933	1.1	52	0.45	240	219	194	171	134	111	86	57	27	7	-	

MODEL	QUANTITY	COMMENTS	PROJECT
			location:
			architect:
			engineer:
			contractor:
			submitted by: