



DESCRIPTION

The CBF fans are centrifugal exhaust fans for ceiling mounting in bathrooms and other utility spaces.

The CBF fans are designed for long duct runs. The fans are compatible with 4" and 6" air ducts.

BENEFITS

- Low noise level
- High-performance DC motor
- Adjustable mounting brackets
- Adjustable turn-off and turn-on delay timer
- Ready for plug-in humidity or motion sensor (sells separately) or Pre-installed humidity or motion sensor (option)
- Energy-efficient LED light (CBF Light modification only)

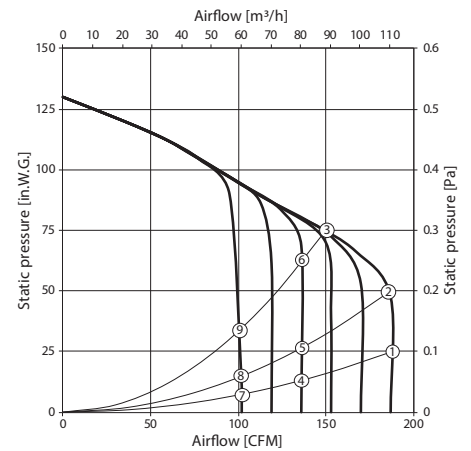
SPECIFICATION

- Voltage: 120 V, 60 Hz
- Motor: DC motor
- Power consumption: 5 – 19 W
- Sones: 1.09 – 1.36
- Airflow capacity: up to 110 CFM
- Duct compatibility: Ø 4" and 6"
- IP X4 protection
- Five-year warranty

PERFORMANCE

| | |
|--------------------------------------|-------------------|
| Weight, kg | 50/60 |
| Voltage, V | 120 - 240 |
| Fan power, W | 19 |
| Lamp power, W* | 2 x 10 |
| RPM, min ⁻¹ | 1100 |
| Fan current @ 230 V (120 V), A | 0.18 (0.3) |
| Max airflow, m ³ /h (CFM) | 187 |
| Max airflow, CFM | 110 |
| Max airflow, l/s | 52 |
| SFP, W/l/s | 0.37 |
| Noise, Sones | from 1.09 to 1.36 |
| Weight, lbs | 11.68 (14.1*) |
| IP | IP X4 |

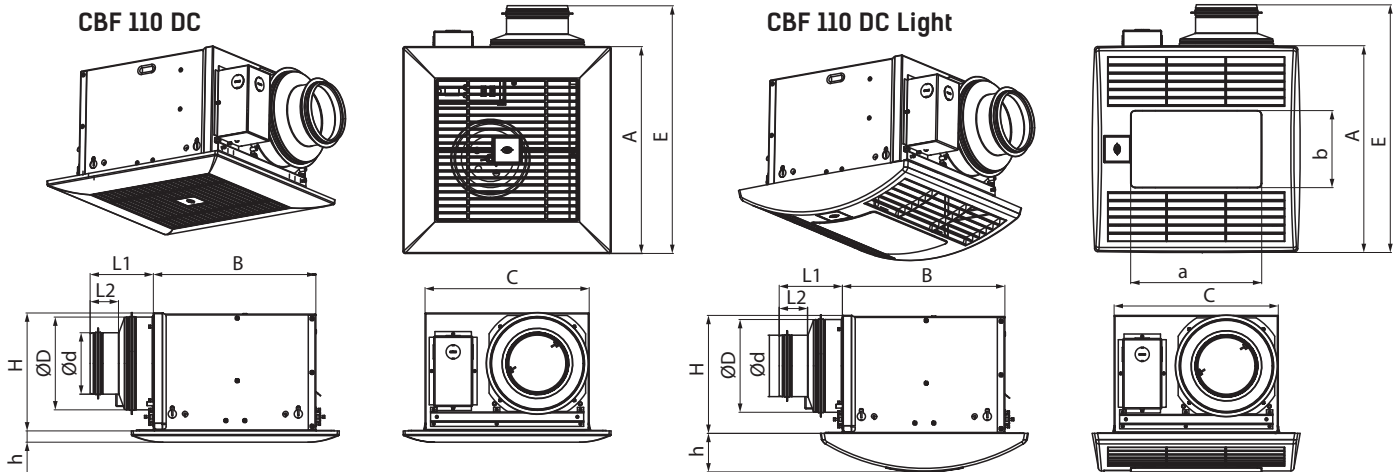
* For fans with light only



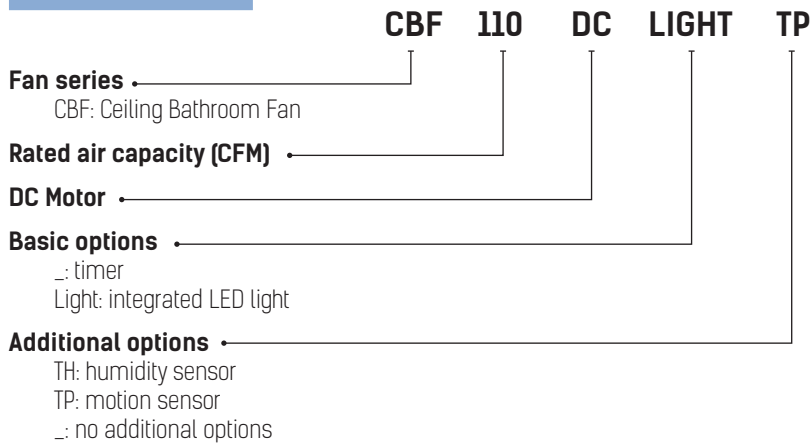
| Speed | 110 | | 100 | | 90 | | 80 | | 70 | | 60 | |
|---------------------------|--------|-------|------|-------|------|-------|------|-------|------|-------|------|-------|
| | 0.1" | 0.25" | 0.1" | 0.25" | 0.1" | 0.25" | 0.1" | 0.25" | 0.1" | 0.25" | 0.1" | 0.25" |
| Static Pressure [in.W.G.] | 0.1" | 0.25" | 0.1" | 0.25" | 0.1" | 0.25" | 0.1" | 0.25" | 0.1" | 0.25" | 0.1" | 0.25" |
| Air Volume [CFM] | 110 | 102 | 101 | 98 | 90 | 90 | 80 | 80 | 70 | 70 | 60 | 58 |
| Noise [Sones] | 1.36 | - | 1.31 | - | 1.26 | - | 1.2 | - | 1.15 | - | 1.09 | - |
| Power consumption [W] | 17 | 19 | 15 | 17 | 13 | 16 | 10 | 15 | 8 | 13 | 5 | 9 |
| Energy efficiency [CFM/W] | 6.5 | 5.4 | 6.7 | 5.8 | 6.9 | 5.6 | 8.0 | 5.3 | 8.8 | 5.4 | 12.0 | 6.4 |
| Speed [rpm] | 1000 | 1200 | 964 | 1182 | 920 | 1145 | 880 | 1100 | 840 | 1055 | 800 | 1000 |
| Max current [Amps] | 0.3 | | | | | | | | | | | |
| Power rating [V/Hz] | 120/60 | | | | | | | | | | | |
| Energy Star qualified | V | | | | | | | | | | | |

DIMENSIONS

| Model | Dimensions [in] | | | | | | | | | | | |
|------------------|----------------------|----------------------|----------------------|----------------------|-----------------------|----------------------|-----------------------|-----------------------|----------------------|---------------------|---------------------|----------------------|
| | D | d | L1 | L2 | A | B | C | E | H | h | a | b |
| CBF 110 DC | 5 ^{53/64} " | 3 ^{55/64} " | 3 ^{15/16} " | 1 ^{49/64} " | 12 ^{63/64} " | 10 ^{5/32} " | 10 ^{15/64} " | 15 ^{35/64} " | 7 ^{13/32} " | 4 ^{5/64} " | - | - |
| CBF 110 DC Light | 5 ^{53/64} " | 3 ^{55/64} " | 3 ^{15/16} " | 1 ^{49/64} " | 12 ^{63/64} " | 10 ^{5/32} " | 10 ^{15/64} " | 15 ^{35/64} " | 7 ^{13/32} " | 2 ^{7/16} " | 8 ^{3/16} " | 4 ^{27/32} " |



DESIGNATION KEY



| MODEL | QUANTITY | COMMENTS | PROJECT |
|-------|----------|----------|---------------|
| | | | location: |
| | | | architect: |
| | | | engineer: |
| | | | contractor: |
| | | | submitted by: |