

WALL VENT PS SERIES

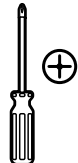


INSTALLATION

TOOLS REQUIRED



Drill



Screwdriver



Pencil

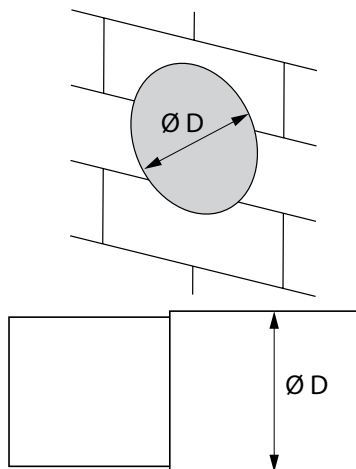


Screws 4 pc for 3/16"
openings

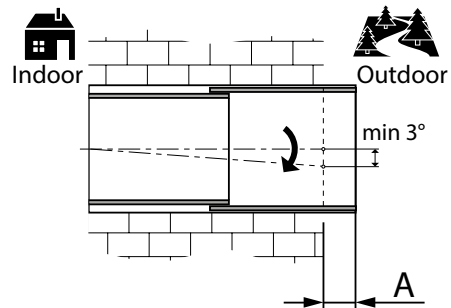


Dowel 4 pc for 1/4"
penings

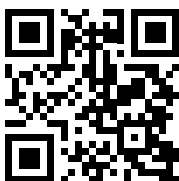
1 DRILL A CORE HOLE IN THE WALL



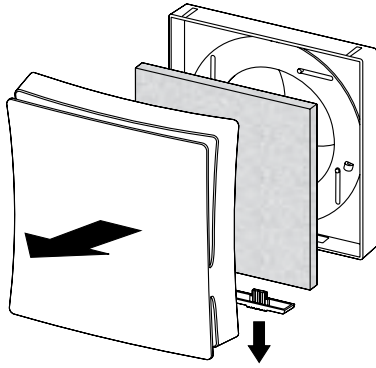
2 INSERT THE TELESCOPIC AIR DUCT



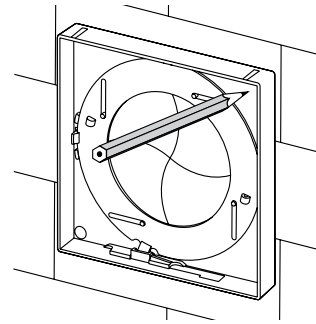
The air duct end must protrude from outside for the distance A that enables installation of the outer ventilation hood or grille. For details, please refer to the installation instruction for the ventilation hood or the grille.
Install the air duct with the minimum slope 3° downwards outside.
Fill the gaps between the air duct and the wall with mounting foam.



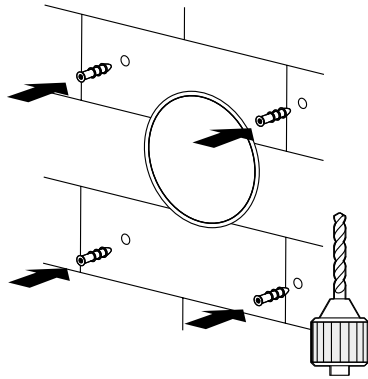
3 DISASSEMBLE THE VENT



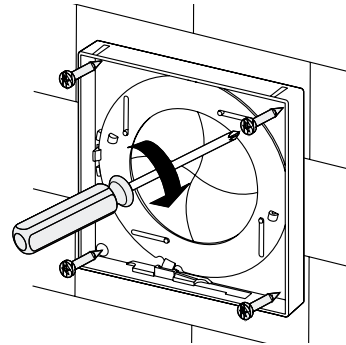
4 MARK FASTENING HOLES USING THE INNER GRILLE



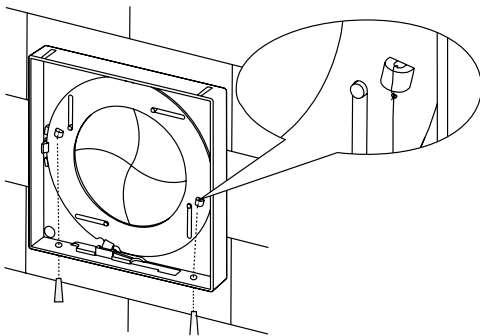
5 DRILL FASTENING HOLES



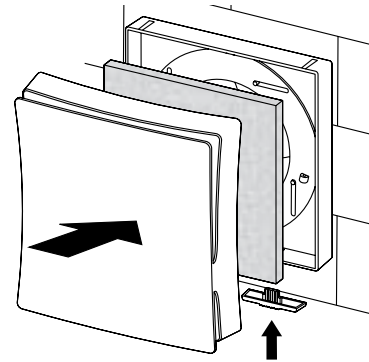
6 FIX THE BACK SIDE OF THE WALL VENT TO THE MOUNTING SURFACE WITH SCREWS



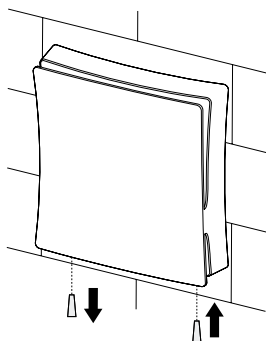
7 INSTALL THE ROPE AIR FLOW REGULATOR



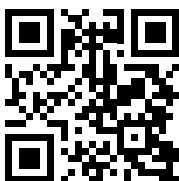
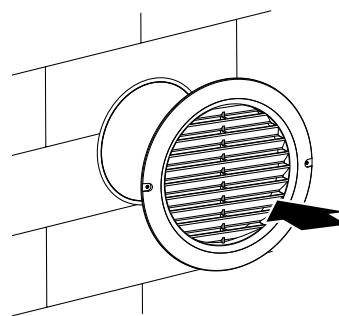
8 INSTALL THE FILTER, THE SLIDE LEVER FOR AIR FLOW CONTROL AND THE FRONT PANEL



9 CONTROL THE SUPPLY AIR VOLUME USING THE SLIDE LEVER OR THE ROPE REGULATOR



10 INSTALL THE OUTER VENTILATION HOOD OR GRILLE



www.vents-us.com

Vents-US
400 Murray Road, Cincinnati, OH 45217, USA
Tel: 1-888-640-0925, 513-583-5786, Fax: 513-268-4597
E-mail: support@ventsus.com

V-US154EN-01